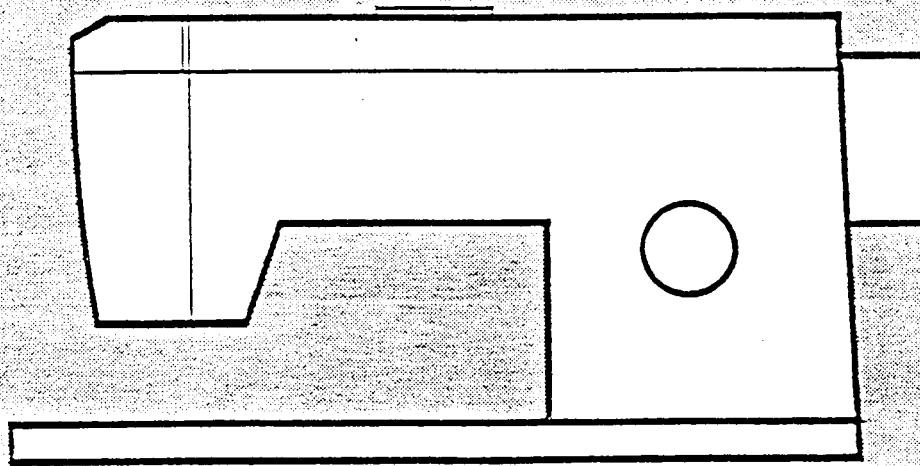


**SINGER**  
**5160/5170/5180**

# LIST OF PARTS

Model 5160, 5170, 5180

HOUSEHOLD SEWING MACHINES



by **SINGER**\*

From the Library of Diamond Needle Corp.



Copyright © 1981 THE SINGER COMPANY  
All Rights Reserved Throughout the World

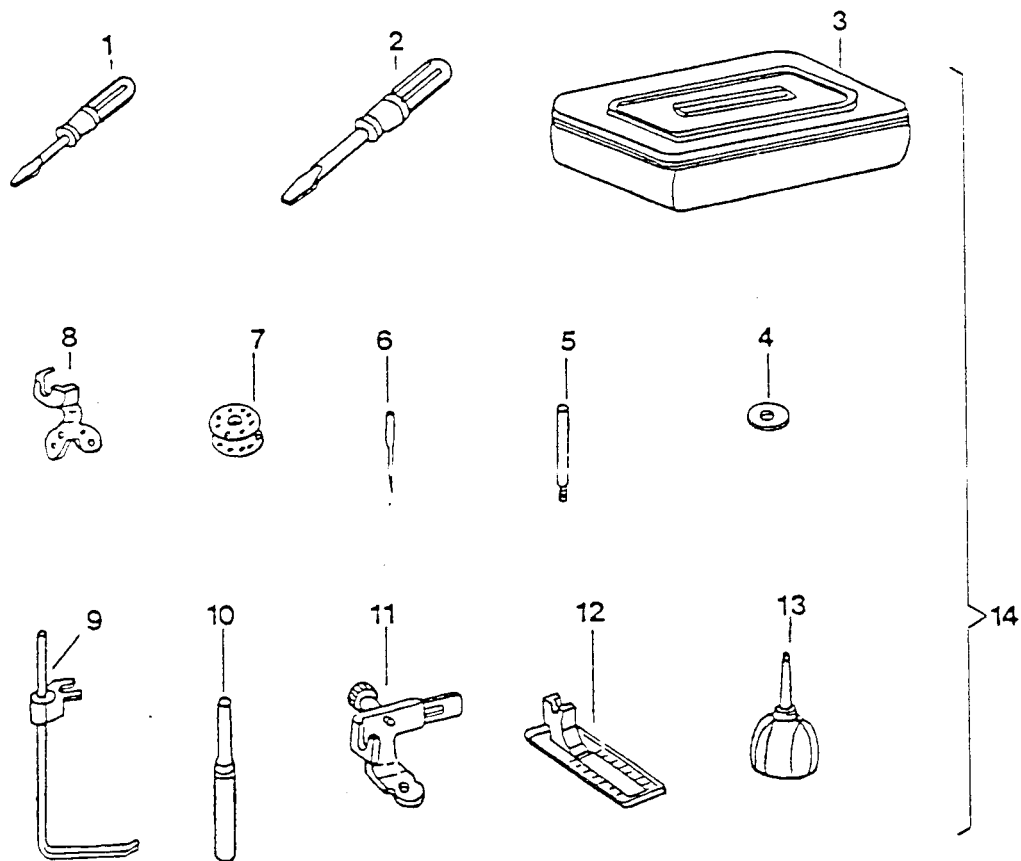
\*A Trademark of THE SINGER COMPANY

From the library of: Diamond Needle Corp

# CONTENTS

PAGE NO.	SUBASSEMBLY
1,2	ATTACHMENT SET
3-6	COVERS AND ADDONS
7,8	SHUTTLE AND SHUTTLE DRIVE
9,10	HEAD END MODULE
11,12	ARMSHAFT, HANDWHEEL AND DIALS
13-16	FEED CONTROL MECHANISMS
17,18	CAM CONTROL MECHANISM
19,20	ELECTRICAL EQUIPMENT

ATTACHMENT SET

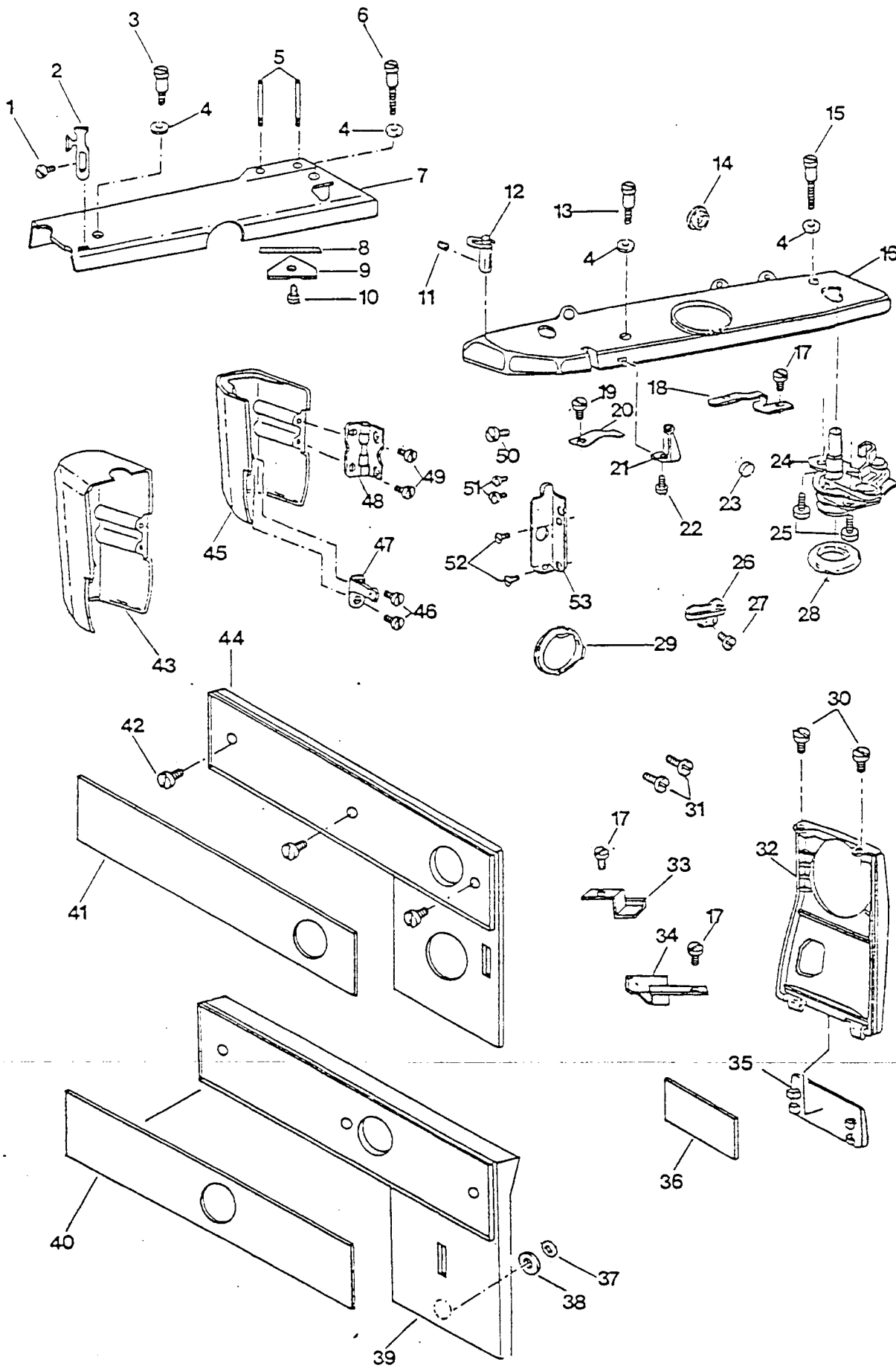




REF.	PART #	MACHINE COVERS	5	5	5			
			1	1	1			
			8	6	7			
			0	0	0			
1	170624	Thread Guide Set Screw			X			
2	170625	Arm Top Cover Thread Guide			X			
3	170626	Arm Top Cover Screw			X			
4	170627	Arm Top Cover Screw Washer	X	X	X			
5	170628	Spool Pin	X	X	X			
6	170629	Arm Top Cover Screw			X			
7	170630	Arm Top Cover			X			
8	170631	Spool Pin Spring	X	X	X			
9	170632	Spool Pin Spring Presser	X	X	X			
10	170633	Spool Pin Spring Presser Screw	X	X	X			
11	170634	Thread Guide Set Screw	X	X				
12	170635	Arm Top Cover Thread Guide	X	X				
13	170636	Arm Top Cover Screw	X	X				
14	170637	Hole Cap	X	X				
15	170638	Arm Top Cover Screw	X	X				
16	170639	Arm Top Cover	X	X				
17	170640	Cord Guide Bracket Screw	X	X	X			
18	170641	Cord Guide Bracket	X	X				
19	170642	Spring Screw	X	X				
20	170643	Spring Clip	X	X				
21	170644	Thread Guide	X	X				
22	170645	Thread Guide Screw	X	X				
23	170646	Hole Cap	X					
24	170647	Bobbin Winder	X	X	X			
25	170648	Bobbin Winder Mounting Screw (2)	X	X	X			
26	170649	Thread Guide	X	X	X			
27	170650	Thread Guide Screw	X	X	X			
28	170651	Bobbin Winder Rubber O Ring	X	X	X			
29	170652	Bed Cap	X	X				
30	170653	End Cover Mounting Screw (2)	X	X	X			
31	170654	Bed Screw (2)		X				
32	170655	End Cover Plate	X					
	<del>170656</del>	End Cover Plate		X				
	170657	End Cover Plate			X			
33	170958	Cord Holder			X			
34	170959	Cord Guide Bracket			X			
35	170660	Lower Cover Plate	X					
36	<del>170661</del>	Lower Cover Plate 170661			X			
37	170662	Stitch Plate Retaining Washer	X	X	X			
38	170663	Stitch Plate Washer	X	X	X			
39	170964	Stitch Plate			X			
40	170665	Stitch Plate Panel			X			
41	170666	Stitch Plate Panel	X	X				
42	170667	Stitch Plate Set Screw (3)	X	X	X			
43	170668	Face Plate Cover			X			
44	170669	Stitch Plate	X					
	170670	Stitch Plate			X			
45	170671	Face Plate Cover	X					
	170672	Face Plate Cover			X			
46	170673	Face Plate Cover Stopper Screw (2)	X	X	X			
47	170674	Face Plate Cover Stopper	X	X	X			
48	170675	Face Plate Cover Hinge	X	X	X			
49	170676	Face Plate Cover Hinge Screw (2)	X	X	X			
50	170677	Set Screw	X	X	X			
51	170578	Set Screw (2)	X	X	X			
52	170679	Arm Thread Guide Mounting Screw (2)	X	X	X			
53	170680	Arm Thread Guide	X	X	X			

From the library of Diamond Needle Corp.

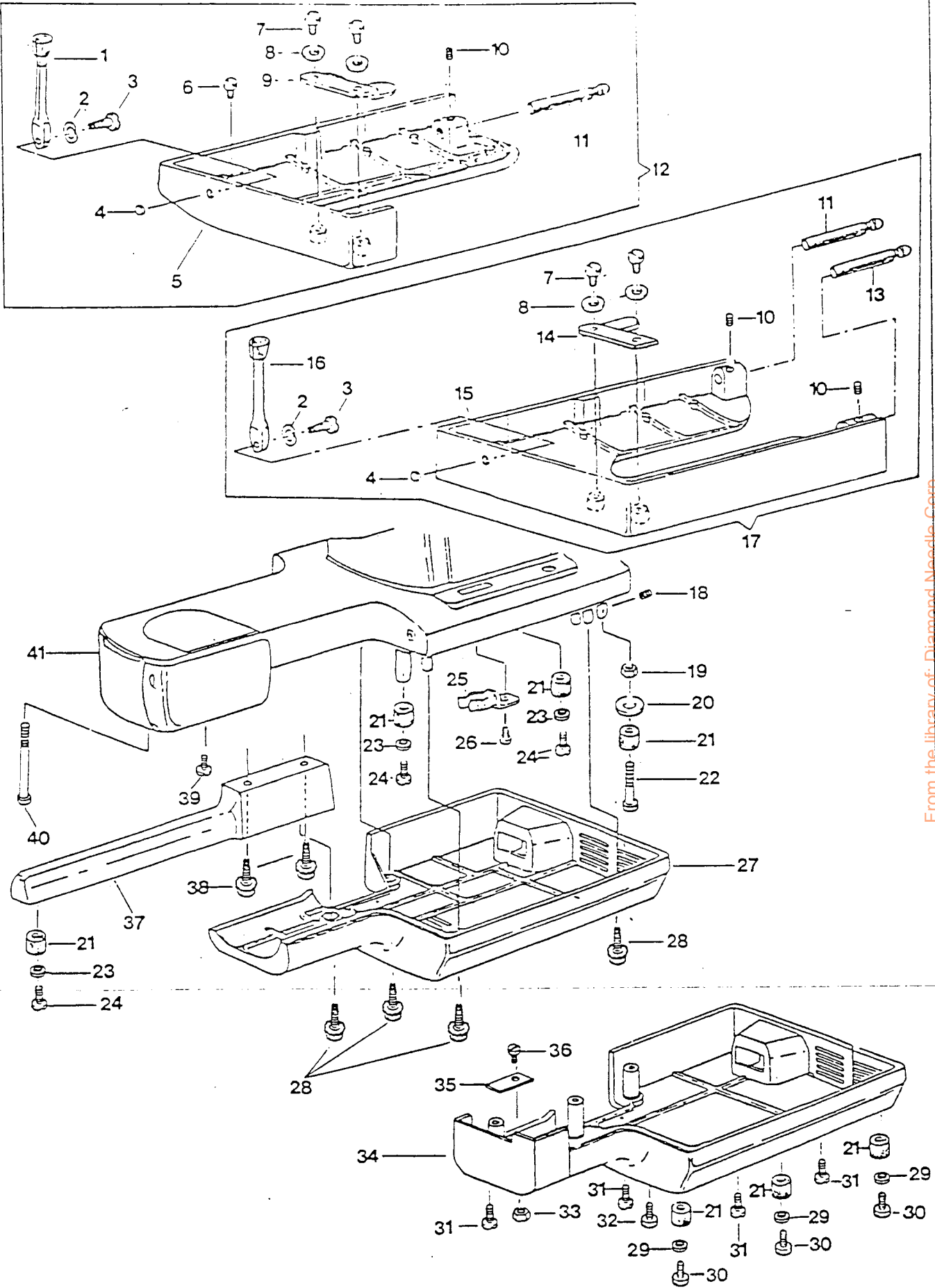
MACHINE COVERS AND ADD ONS



From the library of: Diamond Needle Corp.



MACHINE COVERS (Cont.)



From the library of: Diamond Needle Corp

## 5180/5170/5160 PARTS LIST

REF.	PART #	MACHINE COVERS (CONT.)	5	5	5				
			1	1	1				
			8	6	7				
			10	0	0				
1	170681	Stay Leg	X						
2	170682	Stay Leg Screw Spring Washer	X	X					
3	170683	Stay Leg Screw	X	X					
4	170684	Extension Table Screw Cap	X	X					
5	170685	Extension Table		X					
6	170686	Extension Table Screw	X	X					
7	170687	Plastic Receiver Mounting Screw	X	X					
8	170688	Receiver Screw Washer (2)	X	X					
9	170689	Plastic Receiver	X						
10	170690	Extension Table Mounting Pin Set Screw	X	X					
11	170691	Extension Table Mounting Pin	X	X					
12	170692	Extension Table Compl.	X						
13	170693	Extension Table Mounting Pin		X					
14	170694	Plastic Reciever		X					
15	170696	Extension Table		X					
16	170695	Stay Leg		X					
17	170697	Extention Table Complete		X					
18	170698	Red Set Screw	X						
19	170699	Rubber Cushion Screw Nut	X						
20	170700	Rubber Cushion Screw Washer	X						
21	170701	Rubber Cushion (4)	X						
22	170702	Rubber Cushion Mounting Screw	X						
23	170724	Rubber Cushion Mounting Screw Washer (3)	X	X					
24	170703	Rubber Cushion Mounting Screw (3)	X						
25	170704	Spring Stopper	X						
26	170705	Spring Stopper Mounting Screw	X						
27	170706	Bottom Cover	X						
28	170708	Bottom Cover Mounting Screw w/Washer (4)	X						
29	170709	Bottom Cover Mounting Washer		X					
30	170710	Rubber Cushion Mounting Screw (3)		X					
31	170711	Bottom Cover Mounting Screw (4)		X					
32	170712	Bottom Cover Mounting Screw		X					
33	170713	Shuttle Cover Set Screw Nut		X					
34	170714	Bottom Cover		X					
35	170715	Shuttle Cover Set Spring		X					
36	170716	Shuttle Cover Set Spring Screw		X					
37	170717	Extension Leg	X						
	170718	Extension Leg		X					
38	170719	Extension Leg Mounting Screw (2)	X	X					
39	170720	Screw	X						
40	170721	Shuttle Cover Plate Screw	X						
41	170722	Shuttle Cover Plate	X						
	170723	Shuttle Cover Plate		X					

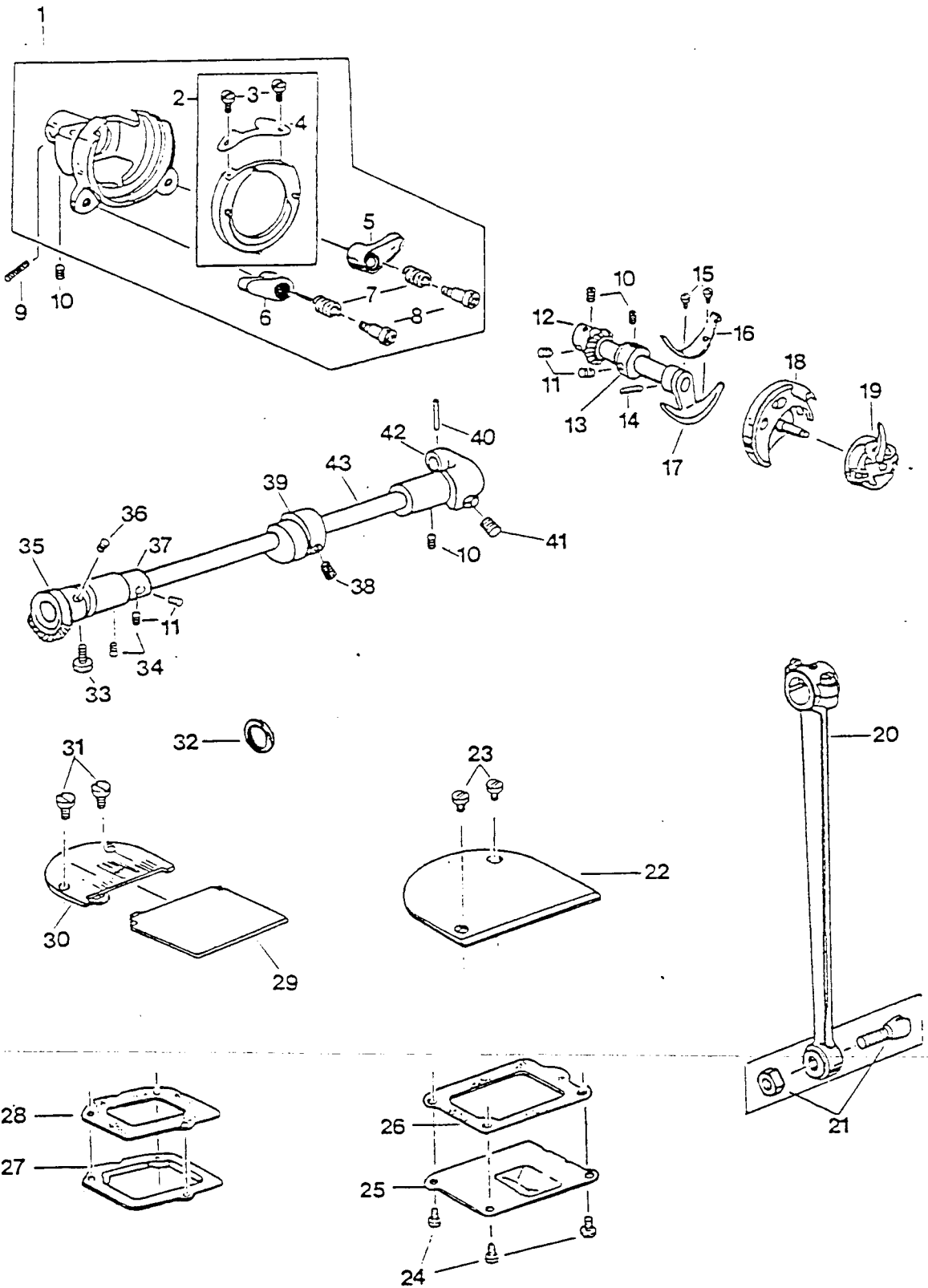
From The Library of Diamond Needle Corp.

5160/5170/5160 PARTS LIST

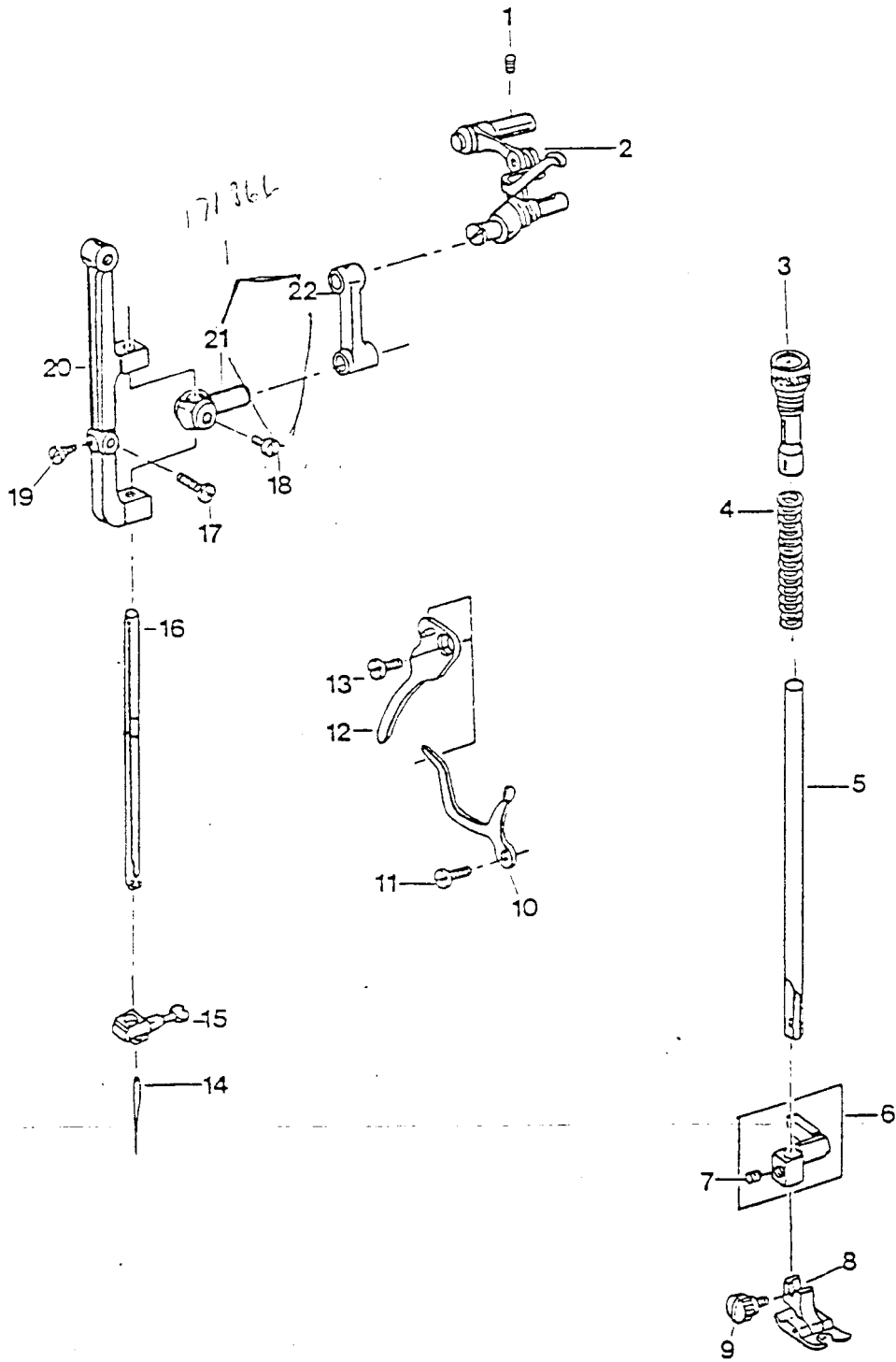
REF.	PART #	SHUTTLE AND SHUTTLE DRIVE	5	5	5			
			1	1	1			
			8	6	7			
			0	0	0			
1	170725	Shuttle Race Assembly	X	X	X			
2	170726	Shuttle Race Gate Complete	X	X	X			
3	170727	Shuttle Race Gate Cap Screw	X	X	X			
4	170728	Shuttle Race Cap	X	X	X			
5	170729	Shuttle Race Latch (left)	X	X	X			
6	170730	Shuttle Race Latch (right)	X	X	X			
7	170731	Shuttle Race Latch Spring	X	X	X			
8	170732	Shuttle Race Latch Screw (2)	X	X	X			
9	170733	Shuttle Race Set Screw	X	X	X			
10	170734	Gear and Bushing Set Screw (4)	X	X	X			
11	170735	Gear and Bushing Set Screw (4)	X	X	X			
12	170955	Shuttle Driver Gear	X	X	X			
13	170957	Shuttle Driver Bushing	X	X	X			
14	170736	Driver Shaft Set Pin	X	X	X			
15	170738	Shuttle Driver Spring Screw	X	X	X			
16	170737	Shuttle Driver Spring	X	X	X			
17	170993	Shuttle Driver	X	X	X			
18	170739	Shuttle Hook	X	X	X			
19	170740	Bobbin Case Complete	X	X	X			
20	170741	Connecting Rod	X		X			
	170742	Connecting Rod		X				
21	170743	Connecting Rod Screw and Nut Complete	X	X	X			
22	170744	Needle Plate	X		X			
23	170745	Needle Plate Screw (2)	X	X	X			
24	170746	Gear Box Cover Screw (3)	X	X	X			
25	170747	Gear Box Cover	X		X			
26	170748	Fiber Gasket	X		X			
27	170751	Gear Box Cover		X				
28	170752	Fiber Gasket		X				
29	170749	Slide Plate		X				
30	170750	Needle Plate		X				
31	170759	Needle Plate Spring Screw (2)	X	X	X			
32	170753	Ring		X				
33	170754	Gear Set Screw	X		X			
	170755	Gear Set Screw		X				
34	170756	Shaft Bushing Set Screw	X	X	X			
35	170994	Oscillating Shaft Gear	X	X	X			
36	170757	Gear Set Screw	X	X	X			
37	170995	Oscillating Shaft Collar	X	X	X			
38	170758	Cam Set Screw	X	X	X			
39	170996	Oscillating Shaft Cam	X	X	X			
40	170997	Oscillating Shaft Crank Pin	X	X	X			
41	170998	Oscillating Shaft Crank Set Screw	X	X	X			
42	170999	Oscillating Shaft Crank	X	X	X			
43	171000	Oscillating Shaft	X	X	X			

From the library of: Diamond Needle Corp

SHUTTLE AND SHUTTLE DRIVE



HEAD END MODULE



5180/5170/5160 PARTS LIST

REF.	PART #	HEAD FND MODULE	5	5	5			
			1	1	1	1	1	1
			8	6	7			
			0	0	0			
1	170760	Thread Take-up Lever Screw	X	X	X			
2	170761	Thread Take-up Lever	X	X	X			
3	170762	Presser Release Mechanism	X	X	X			
4	170763	Presser Bar Spring	X	X	X			
5	170764	Presser Bar	X	X	X			
6	170765	Presser Bar Slide Bracket Complete	X	X	X			
7	170766	Presser Bar Slide Bracket Set Screw	X	X	X			
8	170767	Presser Foot for Zig-Zag Sewing	X	X	X			
9	170768	Thumb Screw	X	X	X			
10	170769	Shift Guide	X	X	X			
11	170770	Shift Guide Mounting Screw	X	X	X			
12	170771	Presser Bar Lifter	X	X	X			
13	170772	Presser Bar Lifter Hinge Stud	X	X	X			
14	170773	Needle, #11, #14	X	X	X			
15	170774	Needle Clamp	X	X	X			
16	170775	Needle Bar	X	X	X			
17	170776	Shoulder Screw	X	X	X			
18	<del>170777</del>	Set Screw ASSEMBLY ONLY	X	X	X			
19	170778	Supporter Bracket Set Screw	X	X	X			
20	170779	Supporter Bracket	X	X	X			
21	<del>170781</del>	Needle Bar Holder ASSEMBLY ONLY	X	X	X			
22	<del>170782</del>	Needle Bar Crank ASSEMBLY ONLY	X	X	X			
	171866	NEEDLE BAR CRANK ASS'Y						

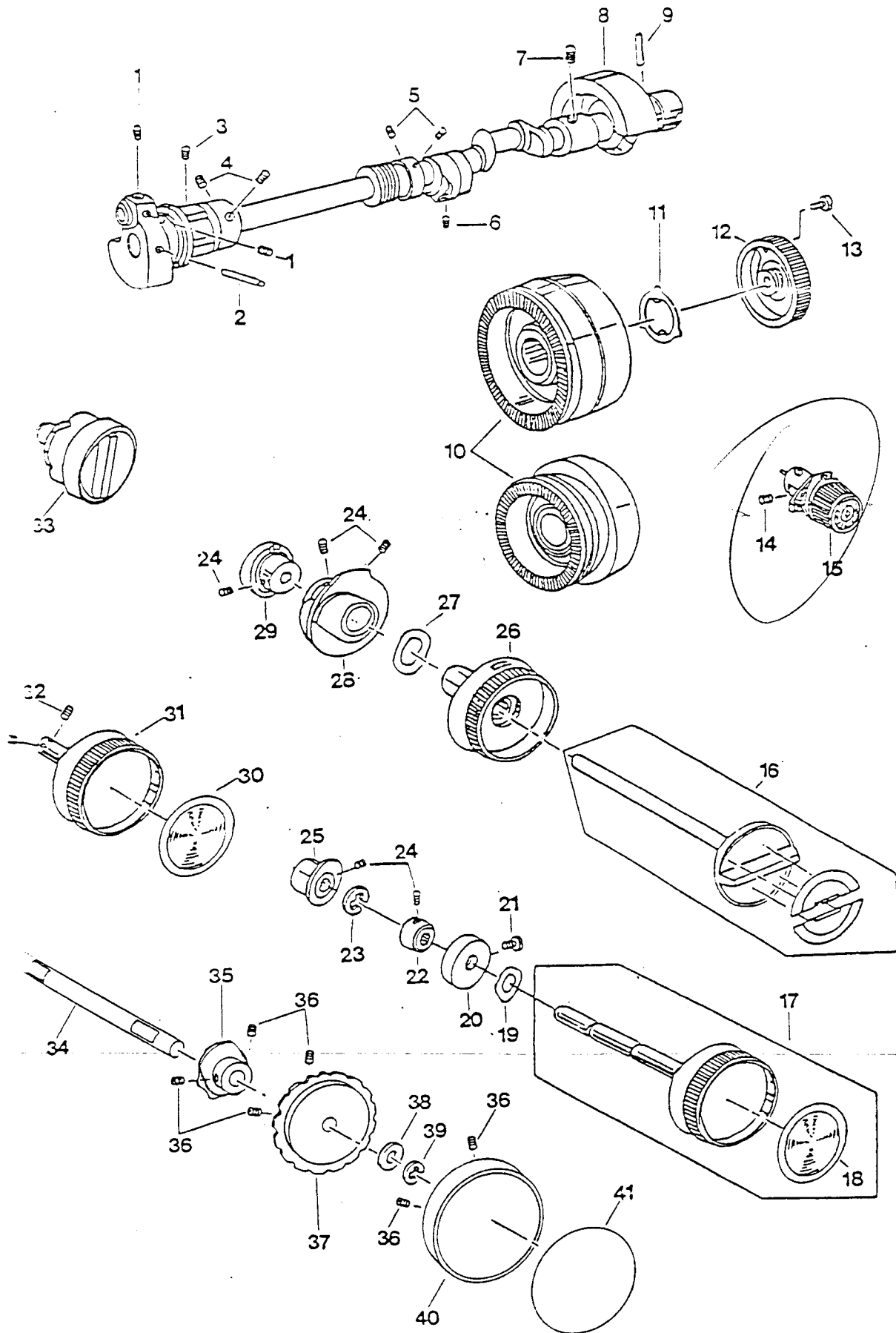
From the library of: Diamond Needle Corp

5180/5170/5160 PARTS LIST

REF.	PART #	ARMSHAFT, HANDWHEEL AND SELECTOR DIALS	5	5	5			
			1	1	1			
			8	6	7			
			0	0	0			
1	170783	Crank Pin Set Screw	X	X	X			
2	170785	Bushing Set Screw	X	X	X			
4	170786	Collar Set Screw (2)	X	X	X			
5	170787	Gear Set Screw (2)	X	X	X			
6	170788	Feed Cam Set Screw	X	X	X			
7	170789	Bushing Set Screw	X	X	X			
8	170790	Clutch Sleeve	X	X	X			
9	170791	Clutch Sleeve Pin	X	X	X			
10	170792	Handwheel Complete	X	X				
	170793	Handwheel Complete			X			
11	170794	Clamp Motion Stop Washer	X	X	X			
12	170795	Clamp Motion Stop Screw	X	X	X			
13	170796	Clamp Stop Motion Stop Screw	X	X	X			
14	170797	Tension Dial Complete	X	X	X			
15	170798	Tension Dial Set Screw	X	X	X			
16	170799	Dial Knob	X	X				
17	170800	Knob Assembly	X	X				
18	170801	Dial Plate	X	X				
19	170802	Spring Washer	X	X				
20	170803	Bearing	X	X				
21	170804	Bearing Set Screw	X	X				
22	170805	Collar	X	X				
23	170806	Retaining Ring	X	X				
24	170807	Collar and Cam Set Screw (5)	X	X				
25	170808	Cam	X	X				
26	170809	Dial Knob	X	X				
27	170810	Spring Washer	X	X				
28	170811	Cam	X	X				
29	170812	Cam	X	X				
30	170813	Dial Plate			X			
31	170814	Dial Knob			X			
32	170815	Dial Knob Set Screw			X			
33	170816	Dial with Cam Complete	X	X				
34	170953	Select Dial Shaft			X			
35	170952	Stretch Stitch Cam			X			
36	170937	Set Screw			X			
37	170951	Selection Cam			X			
38	170950	Washer			X			
39	170949	Retaining Ring			X			
40	170948	Selection Dial			X			
41	170947	Dial Plate			X			

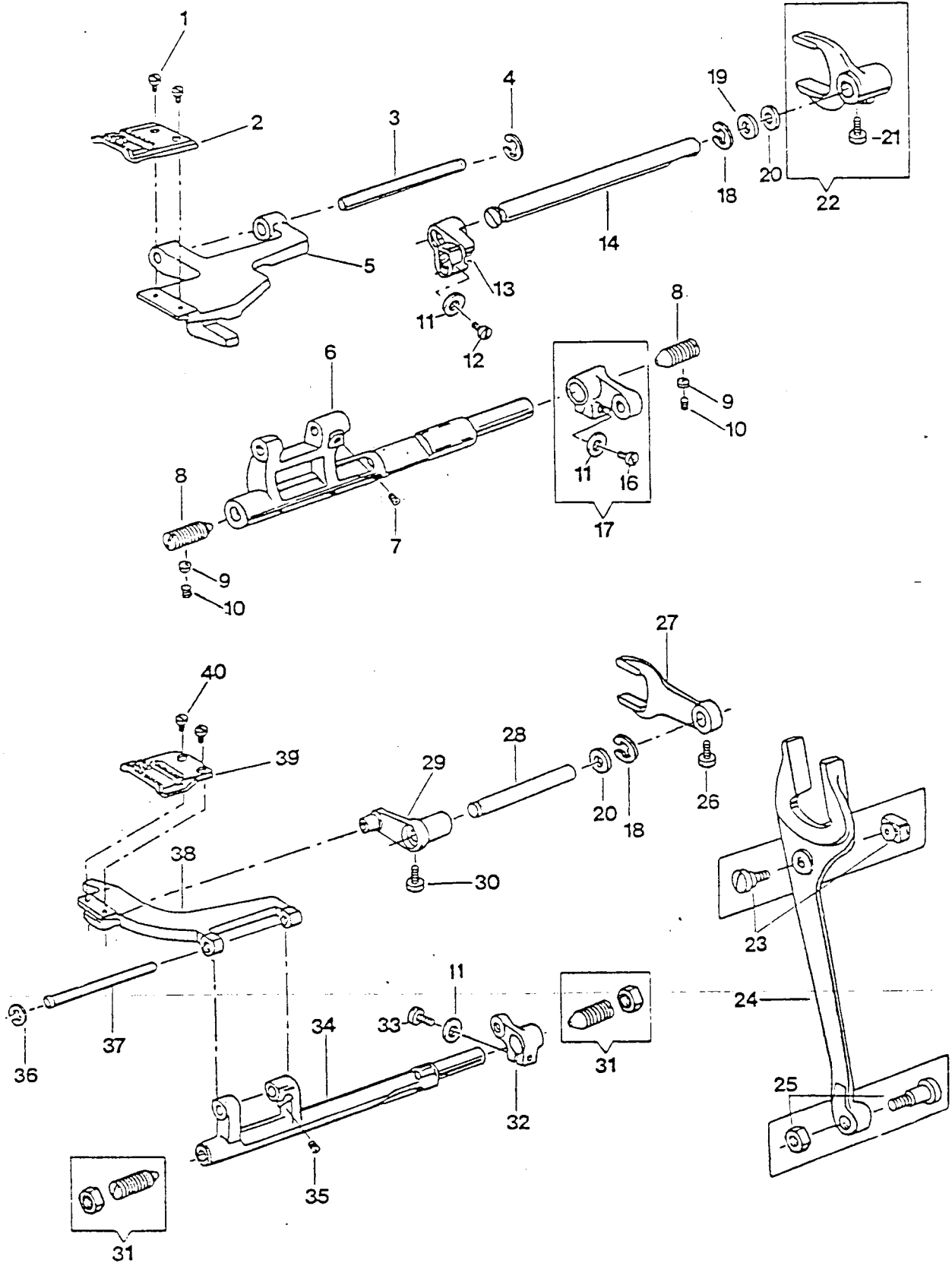
From the library of: Diamond Needle Corp

ARMS-AFT, HAND-HEEL & SELECTOR DIALS





# FEED MECHANISM



From the library of: Diamond Needle Corp

5130/5170/5160 PARTS LIST

REF.	PART #	FEED MECHANISM	5	5	5			
			1	1	1			
			8	6	7			
			0	0	0			
1	170817	Feed Dog Screw	X	X				
2	170818	Feed Dog	X	X				
3	170820	Shaft	X	X				
4	170819	Retaining Ring	X	X				
5	170821	Feed Bracket	X	X				
6	170822	Feed Rock Shaft	X	X				
7	170823	Set Screw	X	X				
8	170824	Feed Rock Shaft Center Screw (2)	X	X				
9	170825	Cushion	X	X				
10	170826	Set Screw	X	X				
11	170841	Crank Screw Washer		X				
12	170835	Feed Rock Shaft Crank Set Screw	X	X				
13	170829	Rocker Arm	X	X				
14	170827	Feed Rock Shaft Spindle	X	X				
16	170834	Feed Rock Shaft Crank	X	X				
17	170828	Feed Rock Shaft Crank	X	X				
18	170851	Retaining Ring		X				
19	170830	Washer	X	X				
20	170832	Washer	X	X	X			
21	170833	Fork Crank Screw	X	X				
22	170831	Fork Crank	X	X				
23	170836	Feed Forked Connection Screw with Block	X	X	X			
24	170837	Feed Forked Connection	X	X				
24	170845	Feed Forked Connection		X				
25	170838	Feed Forked Connection Screw with Nut	X	X	X			
26	170955	Fork Connection Set Screw		X				
27	170855	Fork Connection		X				
28	170852	Shaft		X				
29	170853	Feed Rock Shaft Crank		X				
30	170854	Shaft Crank Set Screw		X				
31	170839	Feed Rock Shaft Center Screw with Nut (2)		X				
32	170840	Feed Rock Shaft Crank		X				
33	170842	Crank Screw		X				
34	170843	Feed Rock Shaft		X				
35	170844	Feed Rock Shaft Set Screw		X				
36	170846	Retaining Ring		X				
37	170847	Feed Bar Shaft		X				
38	170848	Feed Bar		X				
39	170849	Feed Dog		X				
40	170850	Feed Dog Screw		X				

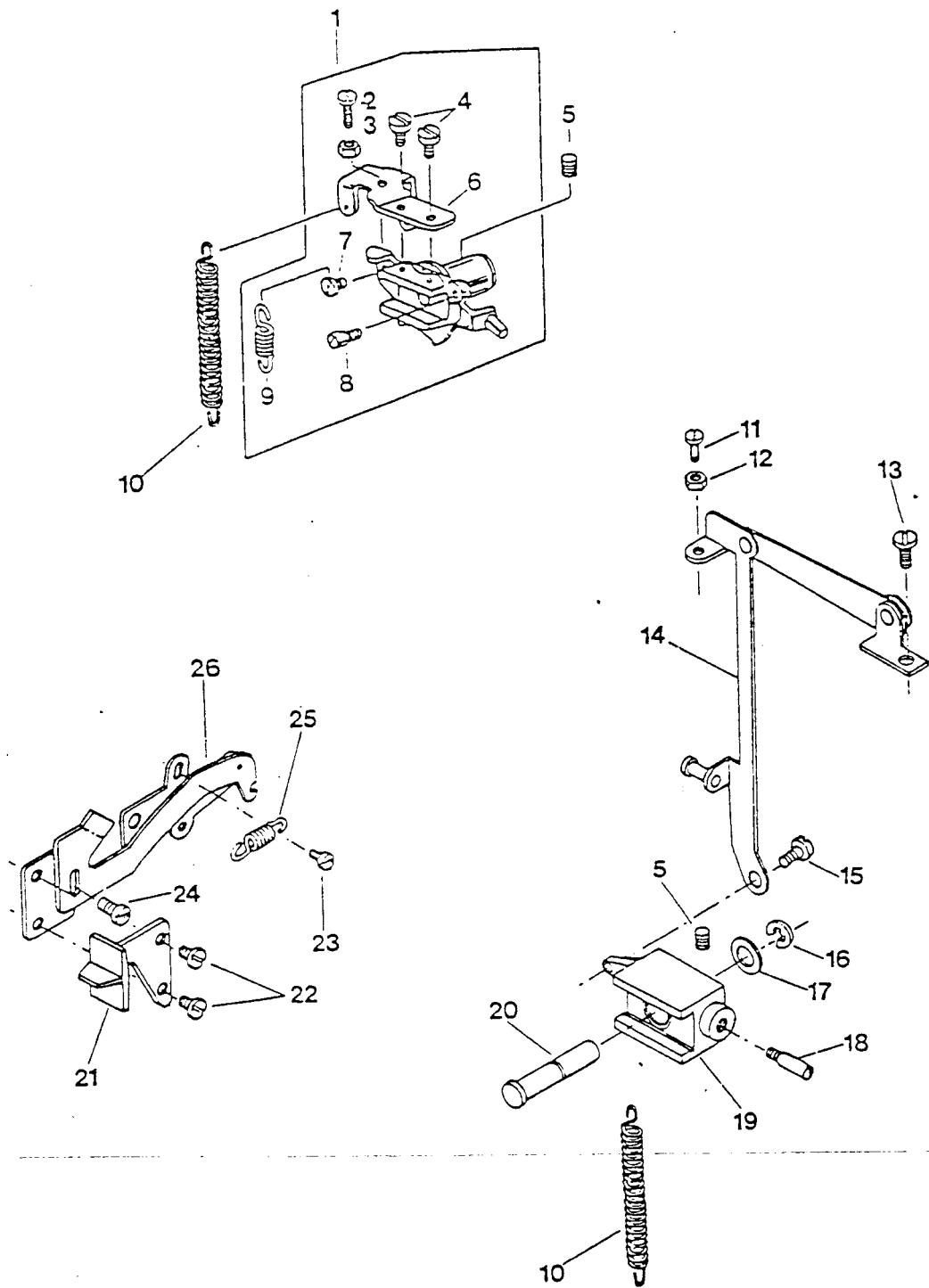
From the Library of Diamond Needle Corp.

5180/5170/5160 PARTS LIST

REF.	PART #	FEED CONTROL MECHANISM (CONT.)	5	5	5	1	1	1	1	1	1	1	1	1	1	1	1	1	1
			8	6	7														
			0	0	0														
1	170856	Feed Regulator Assembly	X																
	170857	Feed Regulator Assembly		X															
2	170858	Plate Screw	X	X															
3	170859	Plate Scw Nut	X	X															
4	170860	Plate Mounting Screw (2)	X	X															
5	170861	Set Screw	X	X	X														
6	170862	Plate Bracket	X																
	170863	Plate Bracket		X															
7	170864	Mounting Screw	X	X															
8	170865	Mounting Pin	X	X															
9	170866	Spring	X	X															
10	170886	Reverse Feed Regulator Spring	X	X	X														
11	170883	Buttonhole Adjusting Screw			X														
12	170884	Buttonhole Adjusting Nut			X														
13	170885	Cam Controlled Feed Connecting Link Mounting Screw			X														
14	170876	Cam Controlled Feed Connecting Link			X														
15	170882	Cam Controlled Feed Connecting Link Connecting Screw			X														
16	170881	Feed Regulator Retaining Ring			X														
17	170880	Feed Regulator Washer			X														
18	170879	Pin Screw			X														
19	170877	Feed Regulator			X														
20	170878	Feed Regulator Shaft			X														
21	170871	Stitch Length Knob	X	X	X														
22	170872	Stitch Length Knob Set Screw	X	X	X														
23	170875	Reverse Assembly Set Screw	X	X	X														
24	170870	Reverse Assembly Set Screw	X	X	X														
25	170869	Reverse Spring	X	X	X														
26	170867	Reverse Assembly	X	X															
	170868	Reverse Assembly			X														

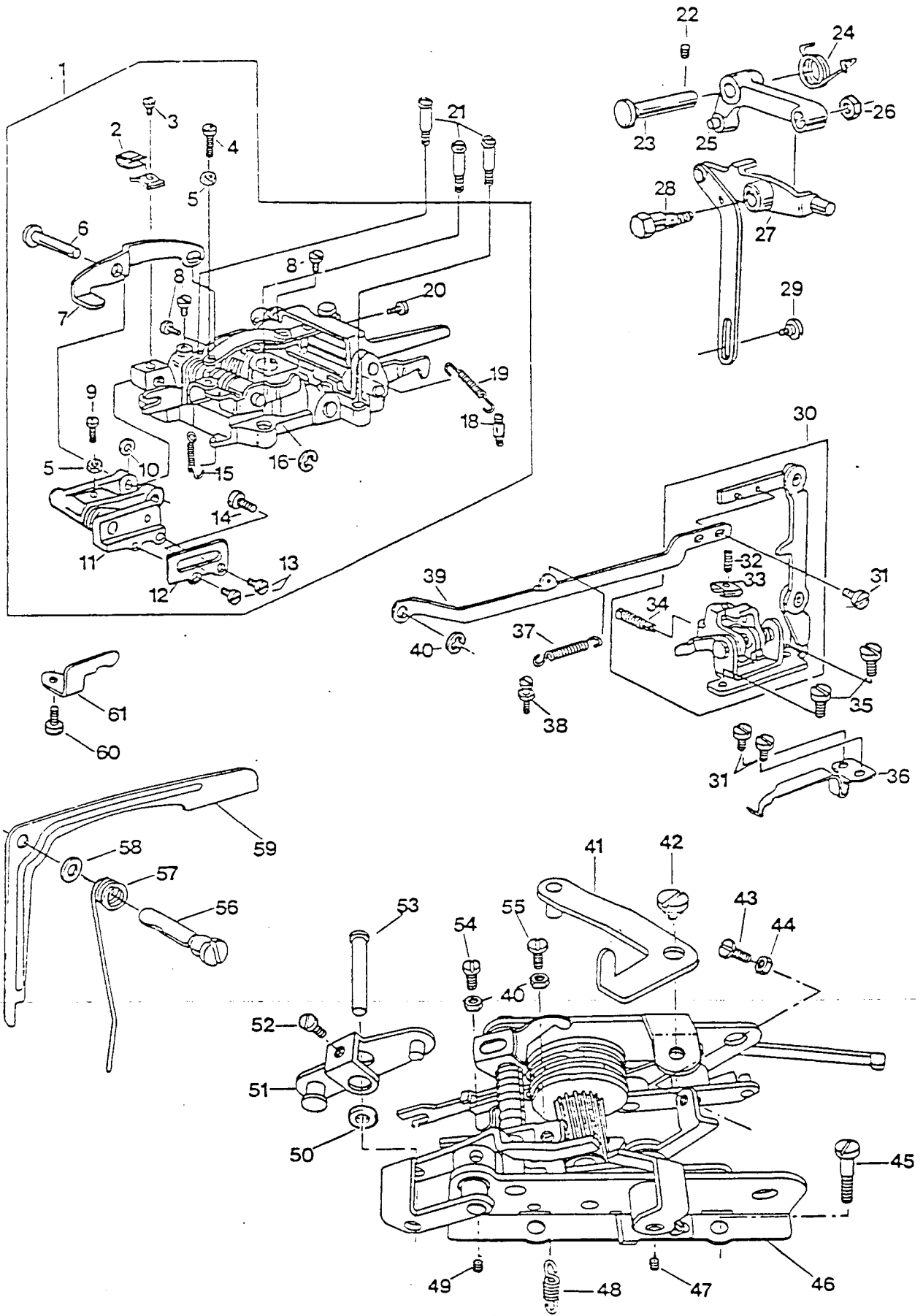
Frontier Sewing Machine Corp.

FEED MECHANISM



From the library of: Diamond Needle Corp

# CAM CONTROL MECHANISM



## REF. | PART # | CAM CONTROL MECHANISM

81617 | | |  
01010 | | |

1	170887	Zic-Zac Mechanism Complete	XIXI			
2	170888	Cord Holder Bracket	XIXI			
3	170889	Cord Holder Bracket Mounting Screw	XIXI			
4	170890	Adjusting Screw	XIXI			
5	170891	Adjusting Screw Nut (2)	XIXI			
6	170892	Needle Position Lever Pin	XIXI			
7	170893	Needle Position Lever	XIXI			
8	170894	Mounting Screw (3)	XIXI			
9	170895	Adjusting Screw	XIXI			
10	170896	Needle Position Lever Pin Washer	XIXI			
11	170897	Needle Position Base	XIXI			
12	170898	Needle Position Base Plate	XIXI			
13	170899	Needle Position Base Plate Mounting Screw (2)	XIXI			
14	170900	Shoulder Screw	XIXI			
15	170901	Spring (small)	XIXI			
16	170902	Retaining Ring	XIXI			
18	170903	Shoulder Screw	XIXI			
19	170904	Spring (large)	XIXI			
20	170905	Mounting Screw	XIXI			
21	170906	Zic-Zac Mech. Mounting Screw (3)	XIXI			
22	170907	Lever Pin Set Screw	XIXI			
23	170908	Lever Pin	XIXI			
24	170909	Lever Spring	XIXI			
25	170910	Lever	XIXI			
26	170911	Rod Shoulder Screw Nut	XIXI			
27	170912	Rod	XIXI			
28	170913	Shoulder Screw	XIXI			
29	170914	Mounting Screw	XIXI			
30	170915	Buttonhole Lever Assembly	XIXI			
31	170916	Lever Mounting Screw	XIXI			
32	170917	Set Screw	XIXI			
33	170918	Spring	XIXI			
34	170919	Spring	XIXI			
35	170920	Mounting Screw (2)	XIXI			
36	170921	Detent Spring	XIXI			
37	170922	Spring	XIXI			
38	170923	Adjusting Screw with Nut	XIXI			
39	170924	Buttonhole Connection Rod	XIXI			
40	170925	Retaining Ring	XIXI			
41	170938	Selection Lever		XI		
42	170939	Selection Lever Set Screw		XI		
43	170943	Adjusting Screw		XI		
44	170941	Adjusting Nut		XI		
45	170946	Zic Zac Base Mechanism Mounting Screw		XI		
X 46	170932	Zic Zac Mechanism Compl.		XI		
47	170944	Set Screw		XI		
48	170945	Lever Spring		XI		
49	170937	Set Screw		XI		
50	170934	Needle Position Base Washer		XI		
51	170933	Needle Position Base		XI		
52	170936	Needle Position Base Mounting Screw		XI		
53	170935	Needle Position Base Pin		XI		
54	170940	Adjusting Screw		XI		
55	170942	Adjusting Screw		XI		
56	170926	Rod Pin	XIXIXI			
57	170927	Rod Pin Spring	XIXI			
	170956	Rod Pin Spring		XI		
58	170928	Rod Pin Washer	XIXIXI			
59	170929	Rod	XIXI			
	170954	Rod		XI		
60	170930	Mounting Screw	XIXI			
61	170931	Bracket	XIXI			

61171e Library of Dr. William D. Leslie 2010

4

5160/5170/5160 PARTS LIST

REF.	PART #	ELECTRICAL EQUIPMENT	5	5	5			
			1	1	1			
			8	6	7			
			0	0	0			
1	170958	Motor Bracket Mounting Screw with Washer (2)	X	X				
2	170959	Motor Mounting Bracket	X					
3	170960	Motor Bracket Screw (2) with Washer	X	X	X			
4	170961	Motor	X	X				
	170862	Motor		X				
5	170963	Motor Pulley Complete	X	X	X			
6	170964	Motor Mounting Bracket		X				
7	170965	Bracket Screw Washer (2)		X				
8	170966	Bracket Screw Lock Washer (2)		X				
9	170967	Bracket Screw (2)		X				
10	170868	Motor Mounting Bracket			X			
11	170969	Counter Pulley Assembly	X	X				
12	170970	Counter Pulley Assembly Mounting Screw	X	X				
13	170971	Pulley Assembly Bracket	X	X				
14	170972	Pulley Spring	X	X				
15	170973	Pulley Assembly Bracket Mounting Screw	X	X				
16	170974	Light Reflection Plate Mounting Plate Screw (4)	X	X	X			
17	170975	Cord Holders	X	X				
18	170976	Light Reflection Plate	X	X	X			
19	170977	Light Harness Assembly	X	X	X			
20	170978	Lamp	X	X	X			
21	170979	Ty-Rap	X	X	X			
22	170980	Terminal	X					
	170881	Terminal		X				
23	170982	Washer	X	X				
24	170983	Terminal Mounting Screw	X	X	X			
25	170884	Cord Holder Bracket			X			
26	170985	Cord Holder Bracket Mounting Screw (2)	X	X				
27	170986	Cord Holder Bracket	X					
28	170987	Terminal		X				
30	170988	Foot Controller Complete	X	X				
31	170989	Motor Belt (short)	X	X				
32	170990	Motor Belt (long)	X	X				
33	170891	Motor Belt		X				
34	170992	Light Harness Mounting Screw	X	X	X			

From the library of: The National Marine Corps

ELECTRICAL EQUIPMENT

